



开环霍尔电流传感器 OC-06...50-LSP

$I_{PN} = 06, 10, 15, 20A, 25A, 50A$

电气参数 Electrical data

除非另有说明，否则环境参数均为@ $T_A = 25^\circ C \pm 5^\circ C$

型号 Type	OC06-LSP	OC10-LSP	OC15-LSP	OC20-LSP	OC25-LSP	OC50-LSP
额定测量电流 Rated input I_{PN}	$\pm 6A$	$\pm 10A$	$\pm 15A$	$\pm 20A$	$\pm 25A$	$\pm 50A$
测量范围 Measure range I_P	$\pm 6A$	$\pm 10A$	$\pm 15A$	$\pm 20A$	$\pm 25A$	$\pm 50A$
额定输出电压 Rated output voltage V_M	$1/2V_c \pm 2V$					
零点失调电压 Offset voltage V_0	$1/2V_c \pm 0.5\%$					
电源电压 Supply voltage V_{CC}	$+5VDC (\pm 5\%) (\pm 5\%)$					
绝缘耐压 Galvanic isolation V_D	50Hz, 1min, 3KV					
线性度 Linearity ϵ_L	$< 1\%FS$					
总体精度 Overall accuracy X	$\pm 1\%FS$					
零点失调电压温漂 V_{OT} Offset voltage drift	$\leq 0.5mV/^\circ C$					
静态电流消耗 I_C Quiescent current consumption	$\leq 15mA$					
响应时间 Response time T_R	$< 5\mu s$					
频带宽度 Frequency bandwidth-3db	DC~100KHz					
工作环境温度 T_A Ambient operating temperature	$-40 \sim +85^\circ C$					
储存环境温度 T_S Ambient storage temperature	$-40 \sim +125^\circ C$					
质量 Mass m	$\approx 10g$					
执行标准 Standards	SJ 20790-2000; JB/T 7490-2007					



产品特点 Products Features

安装方便
Easy mounting
体积小, 节省空间
Small size and space saving
无插入损耗
No insertion losses
抗干扰能力强
High immunity to external interference

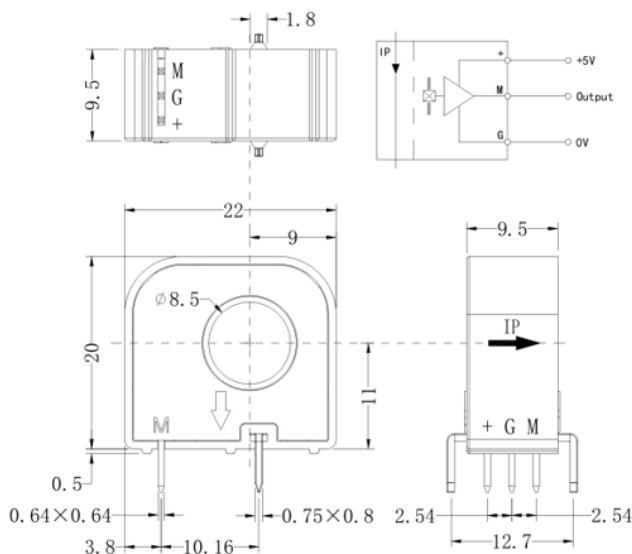
应用领域 Applications

交流变速驱动器
AC variable speed drives
直流电机驱动静态转换器
Static converters for DC motor drives
通讯电源
Battery supplied applications
不间断电源 (UPS)
Uninterruptible Power Supplies
开关电源 (SMPS)
SWITCHED Mode Power Supplies

注意 Remarks

错误的接线可能导致传感器损坏。
The false wiring may result in the damage of the sensor.
 I_P 方向与产品箭头方向一致时, 输出电压为正极。
 V_{OUT} is positive when I_P flows in the direction of the arrow.
当初级导体完全充满初级孔径时动态表现 (di/dt 和响应时间) 为最佳效果。
Dynamic performances (di/dt and response time) are best with a single bar completely filling the primary hole.
初级导体的温度不应超过 $100^\circ C$ 。
Temperature of the primary conductor should not exceed $100^\circ C$.
这是一个标准的产品, 需要其他规格 (测量电流、电源电压、输出电压、连接器、转换比率等) 请联系我们。
This is a standard model. For different versions (I_P , supply voltages, output voltages, connection of secondary, turns ratios...), please contact us.

机械尺寸 Mechanical dimension



机械特性 Mechanical

一般公差 $\pm 0.2mm$
General tolerance
其它公差执行 GB/T 1804-2000-M
Other tolerance execution
原边过流针 $\phi 1.5mm \times 4mm (\times 2)$
Fastening & connection of primary
次边电源针 $0.38mm \times 0.42mm (\times 3)$
Fastening & connection of secondary
建议焊接温度 $265^\circ C \pm 5^\circ C$
Recommended wave soldering temperature